

# Sec. 24

# BALL JOINT ASSEMBLIES

## Rod End Ball Joints (Male)

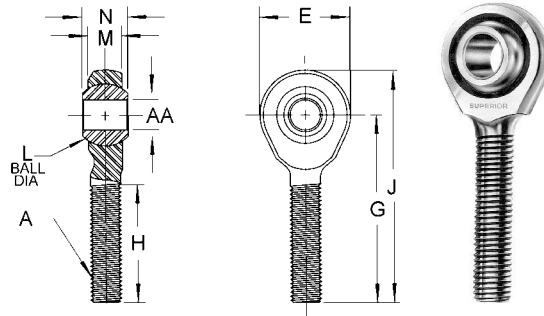
**Bearing Raceway** - Locked in by annular groove-trunnion design. Made of fiber reinforced nylon.

**Outer Member (Housing)** - Low carbon steel, plated plus dichromate treated for corrosion resistance.

**Spherical Ball** - Precision make from selected low carbon steel-case hardened - file hard. Plated plus dichromate treated for corrosion resistance.

**Left Hand Thread** - Available with left hand thread in most sizes. Marked for easy user identification.

Only Available Fully Assembled



### Dimensions

Auveco Part No.	Thread Size (A)	AA	E	G	H	J	L	M	N	Unit Pkg.	Thread
<b>12268</b> <b>12269</b>	10-32	.189 .191	.625	1.250	.750	1.562	.438	.250	.312	1 1	R L
<b>12270</b> <b>12271</b>	1/4-28	.250 .252	.750	1.562	1.000	1.937	.516	.281	.375	1 1	R L
<b>12021</b> <b>12272</b>	5/16-24	.3125 .3145	.875	1.875	1.250	2.312	.625	.344	.437	1 1	R L
<b>12022</b> <b>12273</b>	3/8-24	.375 .377	1.000	1.937	1.250	2.437	.719	.406	.500	1 1	R L
<b>12485</b>	7/16-20	.4395 .4375	1.125	2.125	1.312	2.687	.812	.437	.562	1	R
<b>12023</b> <b>12274</b>	1/2-20	.500 .502	1.312	2.437	1.500	3.094	.938	.500	.625	1 1	R L
<b>12024</b>	5/8-18	.625	1.500	2.625	1.625	3.375	1.125	.562	.750	1	R
<b>12486</b>	3/4-16	.752 .750	1.750	2.875	1.750	3.750	1.312	.687	.875	1	R

## Rod End Ball Joints (Female)

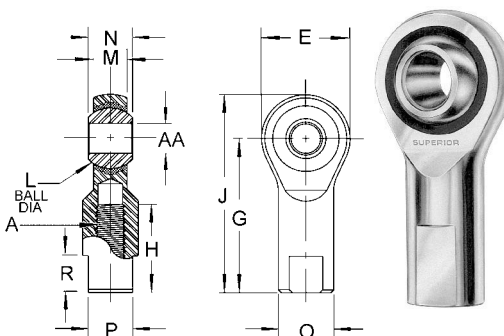
**Bearing Raceway** - Locked in by annular groove-trunnion design. Made of fiber reinforced nylon.

**Outer Member (Housing)** - Low carbon steel, plated plus dichromate treated for corrosion resistance.

**Spherical Ball** - Precision make from selected low carbon steel-case hardened - file hard. Plated plus dichromate treated for corrosion resistance.

**Left Hand Thread** - Available with left hand thread in most sizes. Marked for easy user identification.

Only Available Fully Assembled



### Dimensions

Auveco Part No.	Thread Size (A)	AA	E	G	H	J	L	M	N	O	P	R	Unit Pkg.	Thread
<b>12025</b> <b>12276</b>	10-32	.189 .191	.625	1.062	.562	1.375	.438	.250	.312	.406	.312	.406	1 1	R L
<b>12026</b> <b>12277</b>	1/4-28	.250 .252	.750	1.312	.750	1.687	.516	.281	.375	.469	.375	.406	1 1	R L
<b>12027</b> <b>12278</b>	5/16-24	.3125 .3145	.875	1.375	.750	1.812	.625	.344	.437	.500	.437	.500	1 1	R L
<b>12028</b> <b>12279</b>	3/8-24	.375 .377	1.000	1.625	.937	2.125	.719	.406	.500	.687	.562	.562	1 1	R L
<b>12487</b>	7/16-20	.4395 .4375	1.125	1.812	1.032	2.375	.812	.437	.562	.750	.625	.625	1	R
<b>12029</b> <b>12280</b>	1/2-20	.500 .502	1.312	2.125	1.187	2.781	.938	.500	.625	.875	.750	.687	1 1	R L
<b>12281</b>	5/8-18	.625	1.500	2.500	1.500	3.250	1.125	.562	.750	1.000	.875	.875	1	R
<b>12488</b>	3/4-16	.752 .750	1.750	2.875	1.562	3.750	1.312	.687	.875	1.125	1.000	1.000	1	R