

Sec. 18

**AIR CONDITIONING
& HEATER FAN MOTORS**
Original Equipment



Not Actual Size

19081
(D8UZ-19805-A)

Ford: E100/350 Econoline
Van 1991-88

UNIT PACKAGE: 1

**OEM ELECTRIC RADIATOR COOLING
FAN MOTORS**
Original Equipment

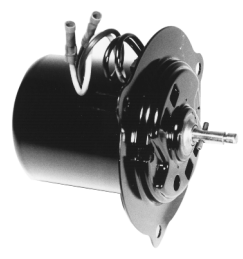


Not Actual Size

19085
(22098790)

GM 1993-82

UNIT PACKAGE: 1



Not Actual Size

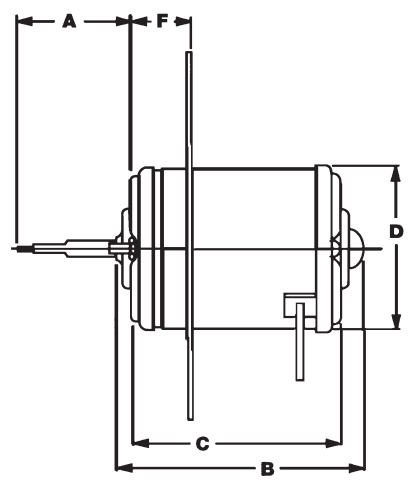
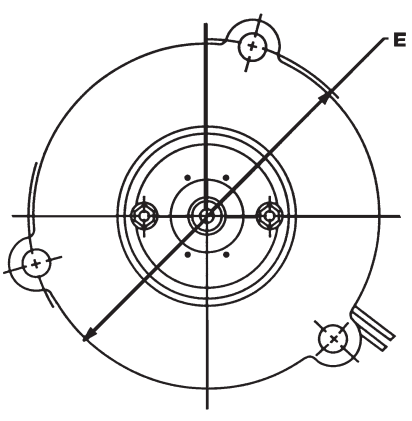
19086

Ford: Escort & Mustang
1990-87
LTD 1983
Tempo 1990-84
Thunderbird
1988-84

Mercury:
Capri 1986
Cougar 1986-84
Lynx 1987-86
Topaz 1990-84
Tracer 1990-89

UNIT PACKAGE: 1

MOTOR SPECIFICATION CHART
(12 Volts)



- A = Shaft extension from face
- B = Overall motor length
- C = Case mounting face to mounting face
- D = Outside motor diameter
- E = Mounting hole center to center
- F = Case mounting face to mounting flange

Auveco Part No.	Dia	Shaft Rotation	A	B	C	D	E	F	Motor Type
190815/16"Reversible...	1-7/16"	4-7/16"	3-11/16"	3-1/4"	Varies	13/16"	Ford Heater
190858mmC.W.S.E.....	1/2"	4-1/8"	3-3/8"	3-1/4"	Varies	1-9/16"	GM Rad. Fan
190865/16"Reversible.....	1"	4-1/2"	3-3/4"	3-1/4"	4-7/8"	7/16"	Ford Rad. Fan Fl. Mtg.

C.W.S.E.-Clockwise Shaft End